

Mobile Base for MDM Locking Cabinets

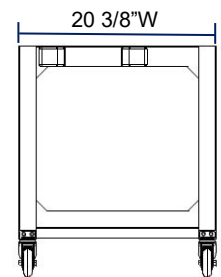
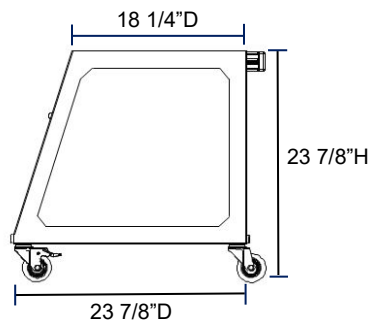
Model #10297-MDM-MBASE

Dell SKU #AB121171



Shown with SKU #AB121138
(sold separately)

- Designed to hold MDM single and double cabinets with pull-out glide trays
- Cold rolled steel; powder coat white
- 3" swiveling casters; 2 locking
- Overall dimensions: 20 3/8"W x 24 3/4"D x 23 7/8"H
- Weight: 27 lbs.
- Proudly made in the USA*



Front view



Side view



Back view

For more information: (800) 724-4339

Datamation Systems, Inc. | 125 Louis Street | South Hackensack, NJ 07606 | T: (201) 329-7200 | F: (201) 329-7272
Website: www.dell.pc-security.com Email: info-dell@datamationsystemsinc.com